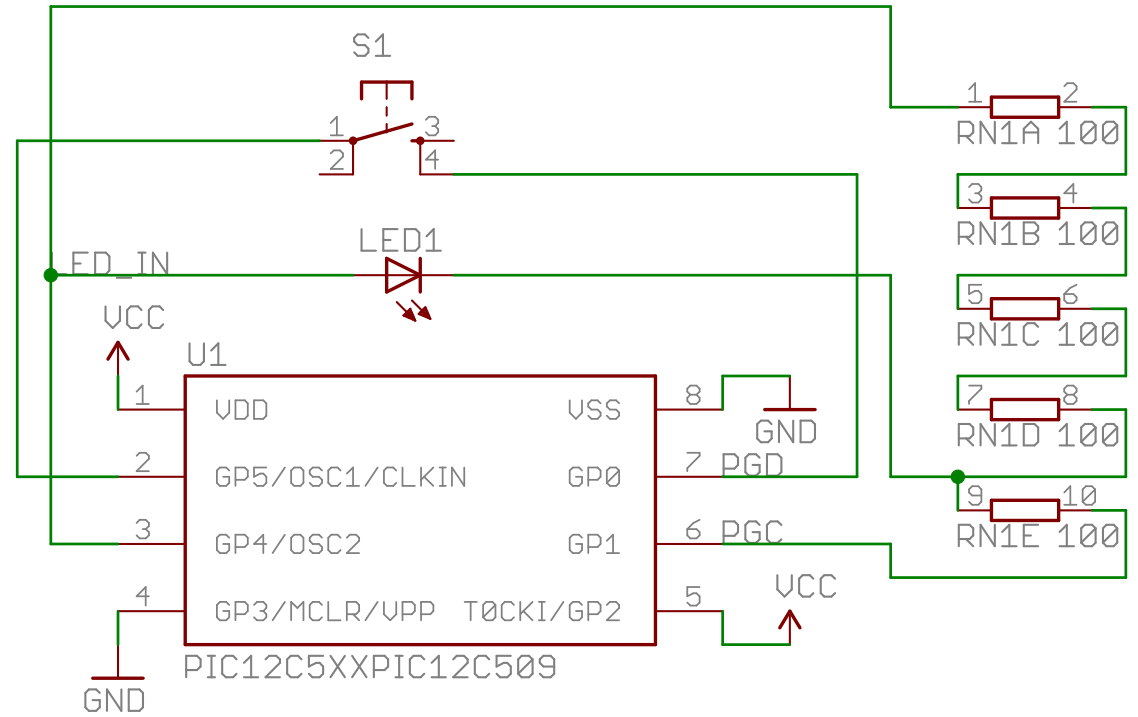


Battery-powered Rotational-Invariant PIC circuit



Needs to use 'A variant parts